

HAND RAIL Profiles

Builders Guide to Custom Moulding & Millwork 1.2

Sec. 11

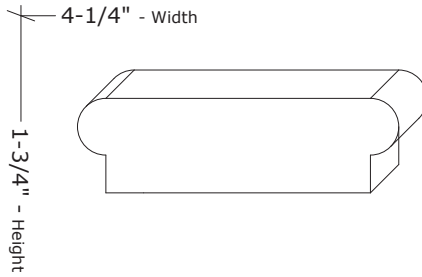
Profiles at a glance in order by Width.

Profile No.	H	x	W	Page
HA-2	1-7/8"	x	2-1/2"	1
HA-4	2-1/8"	x	2-3/4"	1
HA-7	2-5/8"	x	3"	1
HA-1	2-5/8"	x	3-1/2"	1
HA-5	2-1/2"	x	4"	1
HA-3	2-3/4"	x	4"	1
HA-8	1-3/4"	x	4-1/4"	2
HA-6	3-1/2"	x	4-7/8"	2

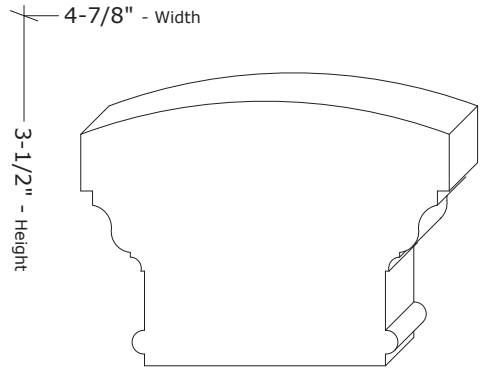
Request your own custom profile.

Call today!
1-847-465-8101

ASH-HA-8



ASH-HA-6



Drawings are **NOT** actual size.
Scaled drawings to size available upon request.

**Ashland
Millwork**[®]
The finishing touch.[™]

5 Messner Drive
Wheeling, IL 60090
Tel: 1-847-465-8101 Fax: 1-847-465-8102
Email: sales@ashlandmillwork.com Web: www.ashlandmillwork.com

*Profile Heightes, Widths and/or Widths may be modified.

Job Name: _____
Architect/Builder: _____
Wood Species: _____ Qty: _____ LF.
Profile No.: _____

Sec. 11 - 2