

RAKE MOULD Profiles

Builders Guide to Custom Moulding & Millwork 1.2

Sec. 16

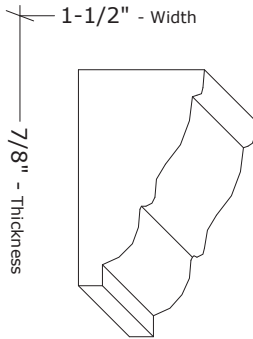
Profiles at a glance in order by Width.

Profile No.	Th (thickness)	x	W	Page
RA-7	7/8"	x	1-1/2"	1
RA-5	1-1/4"	x	1-1/2"	1
RA-2	1"	x	2"	1
RA-6	7/8"	x	2-1/16"	1
RA-4	1"	x	2-1/4"	1
RA-3	1-1/2"	x	3"	1
RA-1	1-7/8"	x	5-3/8"	2

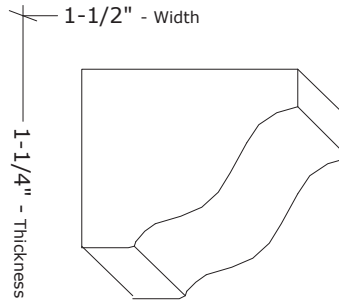
Request your own custom profile.

Call today!
1-847-465-8101

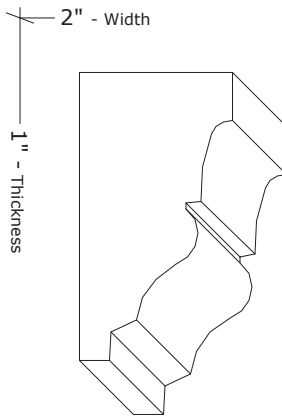
ASH-RA-7



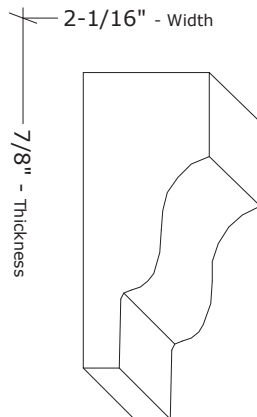
ASH-RA-5



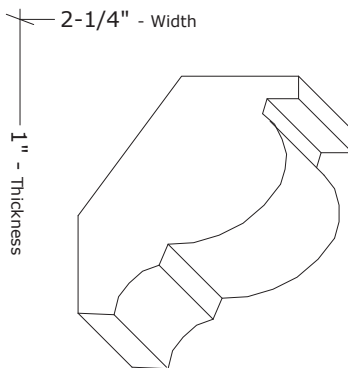
ASH-RA-2



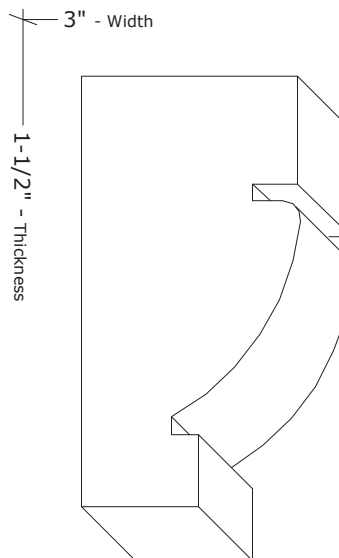
ASH-RA-6



ASH-RA-4



ASH-RA-3



*Profile Thicknesses, Widths and/or Widths may be modified.

Drawings are **NOT** actual size.
Scaled drawings to size available upon request.

Ashland Millwork
The finishing touch.™

5 Messner Drive
Wheeling, IL 60090
Tel: 1-847-465-8101 Fax: 1-847-465-8102
Email: sales@ashlandmillwork.com Web: www.ashlandmillwork.com

Job Name: _____
Architect/Builder: _____
Wood Species: _____ Qty: _____ LF.
Profile No.: _____

Sec. 16 - 1