

# RAKE MOULD Profiles

Builders Guide to Custom Moulding & Millwork 1.0

## Sec. 16

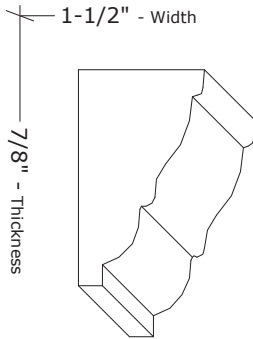
Profiles at a glance in order by Width.

Profile No.	Th (thickness)	x	W	Page
RA-7	7/8"	x	1-1/2"	1
RA-5	1-1/4"	x	1-1/2"	1
RA-2	1"	x	2"	1
RA-6	7/8"	x	2-1/16"	1
RA-4	1"	x	2-1/4"	1
RA-3	1-1/2"	x	3"	1
RA-1	1-7/8"	x	5-3/8"	2

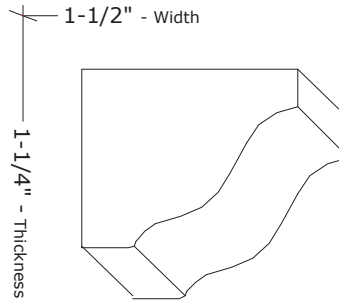
Request your own custom profile.

**Call today!**  
**1-847-869-8669**

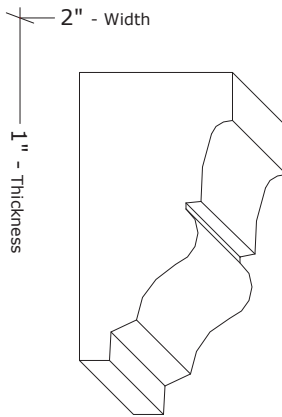
### ASH-RA-7



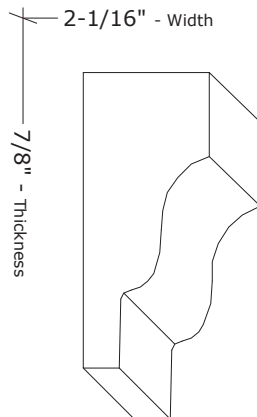
### ASH-RA-5



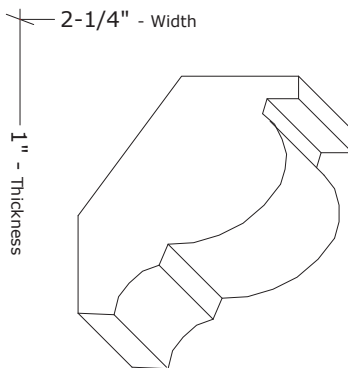
### ASH-RA-2



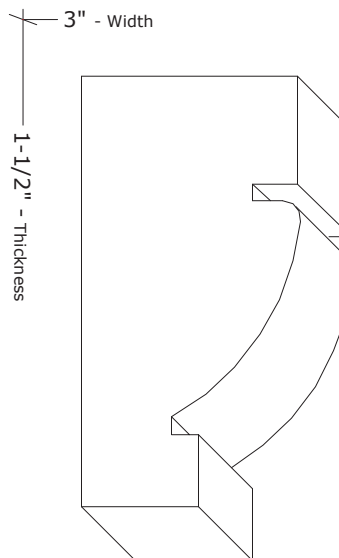
### ASH-RA-6



### ASH-RA-4



### ASH-RA-3



\*Profile Thicknesses, Widths and/or Widths may be modified.

Drawings are **NOT** actual size.  
Scaled drawings to size available upon request.

**Ashland Millwork**  
The finishing touch.™

2143 Ashland Avenue  
Evanston, Illinois 60201

Tel: 1-847-869-8669 Fax: 1-847-869-8744

Email: sales@ashlandmillwork.com Web: www.ashlandmillwork.com

Job Name: \_\_\_\_\_

Architect/Builder: \_\_\_\_\_

Wood Species: \_\_\_\_\_ Qty: \_\_\_\_\_ LF.

Profile No.: \_\_\_\_\_

**Sec. 16 - 1**

## Sec. 16

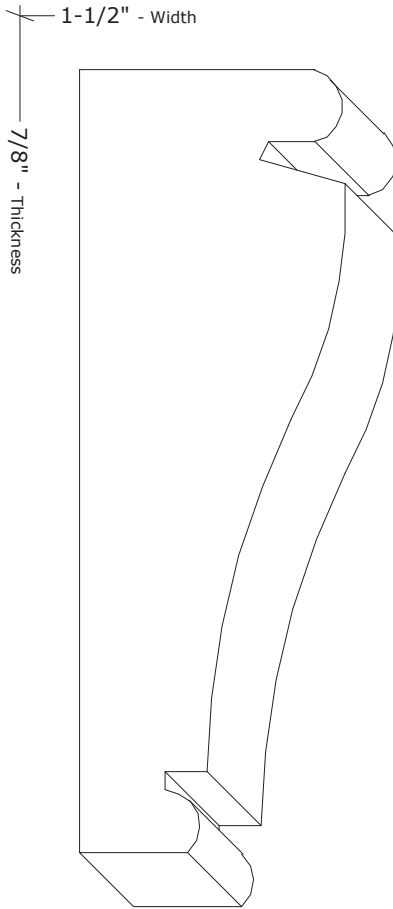
Profiles at a glance in order by Width.

Profile No.	Th (thickness)	x	W	Page
RA-7	7/8"	x	1-1/2"	1
RA-5	1-1/4"	x	1-1/2"	1
RA-2	1"	x	2"	1
RA-6	7/8"	x	2-1/16"	1
RA-4	1"	x	2-1/4"	1
RA-3	1-1/2"	x	3"	1
RA-1	1-7/8"	x	5-3/8"	2

Request your own custom profile.

**Call today!**  
**1-847-869-8669**

### ASH-RA-1



Drawings are **NOT** actual size.  
Scaled drawings to size available upon request.

**Ashland Millwork**  
The finishing touch.™

2143 Ashland Avenue  
Evanston, Illinois 60201  
Tel: 1-847-869-8669 Fax: 1-847-869-8744  
Email: sales@ashlandmillwork.com Web: www.ashlandmillwork.com

\*Profile Thicknesses, Widths and/or Widths may be modified.

Job Name: \_\_\_\_\_  
Architect/Builder: \_\_\_\_\_  
Wood Species: \_\_\_\_\_ Qty: \_\_\_\_\_ LF.  
Profile No.: \_\_\_\_\_

**Sec. 16 - 2**