

BACK BAND Profiles

Builders Guide to Custom Moulding & Millwork 1.0

Sec. 2

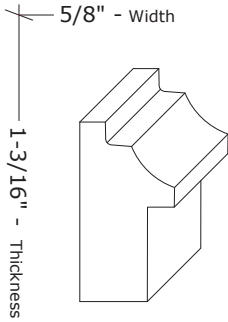
Profiles at a glance in order by Width.

Profile No.	Th (thickness)	x	W	Page
BB-38	1-3/16"	x	5/8"	1
BB-04	1-1/16"	x	3/4"	1
BB-24	7/8"	x	7/8"	1
BB-37	1"	x	7/8"	1
BB-18	11/16"	x	15/16"	1
BB-05	1"	x	1"	1
BB-06	1"	x	1"	1
BB-43	1"	x	1"	1
BB-50	1-5/16"	x	1"	1
BB-13	15/16"	x	1-1/16"	1
BB-31	13/16"	x	1-1/8"	1
BB-29	7/8"	x	1-1/8"	1
BB-30	7/8"	x	1-1/8"	2
BB-35	7/8"	x	1-1/8"	2
BB-32	1"	x	1-1/8"	2
BB-14	1-1/16"	x	1-1/8"	2
BB-51	15/16"	x	1-1/8"	2
BB-42	1-1/2"	x	1-3/16"	2
BB-01	13/16"	x	1-3/16"	2
BB-34	7/8"	x	1-3/16"	2
BB-28	15/16"	x	1-3/16"	2
BB-36	15/16"	x	1-3/16"	2
BB-02	1"	x	1-3/16"	2
BB-17	1-1/16"	x	1-3/16"	2
BB-12	1-1/8"	x	1-3/16"	3
BB-39	7/8"	x	1-1/4"	3
BB-44	1"	x	1-1/4"	3
BB-03	1-1/16"	x	1-1/4"	3
BB-09	1-1/8"	x	1-1/4"	3
BB-33	1-1/4"	x	1-1/4"	3
BB-41	15/16"	x	1-5/16"	3
BB-46	1-1/4"	x	1-5/16"	3
BB-40	3/4"	x	1-1/2"	3
BB-22	1-1/4"	x	1-1/2"	3
BB-08	1-3/8"	x	1-1/2"	3
BB-21	1-1/2"	x	1-5/8"	3
BB-47	1-1/2"	x	1-5/8"	4
BB-48	1-1/8"	x	1-5/8"	4
BB-52	1-7/16"	x	1-5/8"	4
BB-15	1-1/8"	x	1-3/4"	4
BB-16	1-5/16"	x	1-3/4"	4
BB-07	1-1/2"	x	1-7/8"	4
BB-20	1-1/2"	x	1-7/8"	4
BB-26	1-1/2"	x	1-7/8"	4
BB-25	1-7/8"	x	2"	4
BB-49	1-11/16"	x	2"	4
BB-27	1-1/2"	x	2-1/4"	4
BB-10	1-9/16"	x	2-1/4"	4
BB-11	1-1/2"	x	2-5/16"	5
BB-19	1-3/4"	x	2-3/8"	5

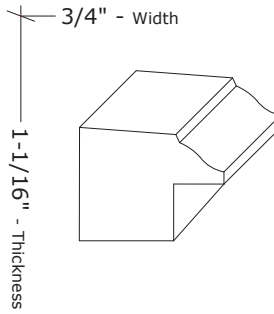
Request your own custom profile.

Call today!
1-847-869-8669

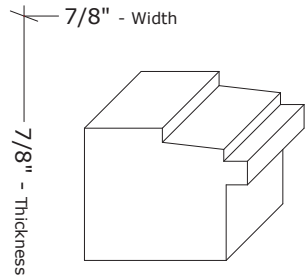
ASH-BB-38



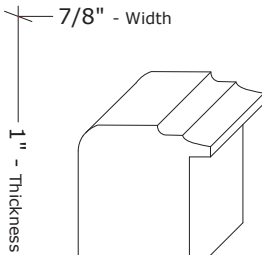
ASH-BB-04



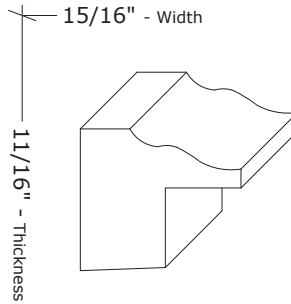
ASH-BB-24



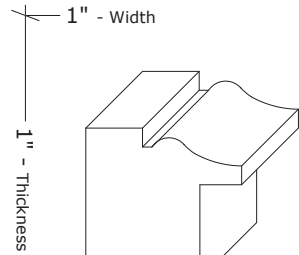
ASH-BB-37



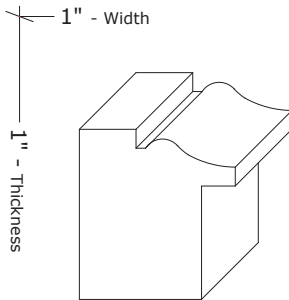
ASH-BB-18



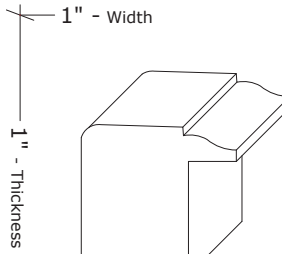
ASH-BB-05



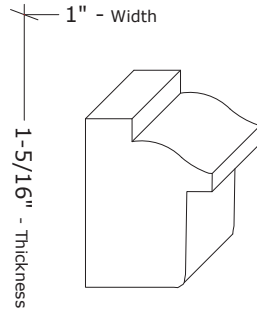
ASH-BB-06



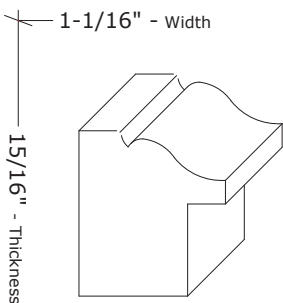
ASH-BB-43



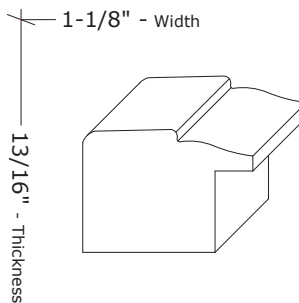
ASH-BB-50



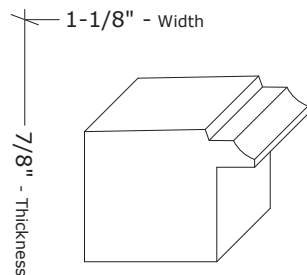
ASH-BB-13



ASH-BB-31



ASH-BB-29



Drawings are NOT actual size. Scaled drawings to size are available upon request.

*Profile Thicknesses, Heights and/or Widths may be modified.

Ashland Millwork
The finishing touch.™

2143 Ashland Avenue
Evanston, Illinois 60201
Tel: 1-847-869-8669 Fax: 1-847-869-8744
Email: sales@ashlandmillwork.com Web: www.ashlandmillwork.com

Job Name: _____
Architect/Builder: _____
Wood Species: _____ Qty: _____ LF.
Profile No.: _____

Sec. 2 - 1

BACK BAND Profiles

Builders Guide to Custom Moulding & Millwork 1.0

Sec. 2

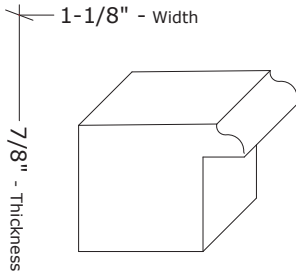
Profiles at a glance in order by Width.

Profile No.	Th (thickness)	x	W	Page
BB-38	1-3/16"	x	5/8"	1
BB-04	1-1/16"	x	3/4"	1
BB-24	7/8"	x	7/8"	1
BB-37	1"	x	7/8"	1
BB-18	11/16"	x	15/16"	1
BB-05	1"	x	1"	1
BB-06	1"	x	1"	1
BB-43	1"	x	1"	1
BB-50	1-5/16"	x	1"	1
BB-13	15/16"	x	1-1/16"	1
BB-31	13/16"	x	1-1/8"	1
BB-29	7/8"	x	1-1/8"	1
BB-30	7/8"	x	1-1/8"	2
BB-35	7/8"	x	1-1/8"	2
BB-32	1"	x	1-1/8"	2
BB-14	1-1/16"	x	1-1/8"	2
BB-51	15/16"	x	1-1/8"	2
BB-42	1-1/2"	x	1-3/16"	2
BB-01	13/16"	x	1-3/16"	2
BB-34	7/8"	x	1-3/16"	2
BB-28	15/16"	x	1-3/16"	2
BB-36	15/16"	x	1-3/16"	2
BB-02	1"	x	1-3/16"	2
BB-17	1-1/16"	x	1-3/16"	2
BB-12	1-1/8"	x	1-3/16"	3
BB-39	7/8"	x	1-1/4"	3
BB-44	1"	x	1-1/4"	3
BB-03	1-1/16"	x	1-1/4"	3
BB-09	1-1/8"	x	1-1/4"	3
BB-33	1-1/4"	x	1-1/4"	3
BB-41	15/16"	x	1-5/16"	3
BB-46	1-1/4"	x	1-5/16"	3
BB-40	3/4"	x	1-1/2"	3
BB-22	1-1/4"	x	1-1/2"	3
BB-08	1-3/8"	x	1-1/2"	3
BB-21	1-1/2"	x	1-5/8"	3
BB-47	1-1/2"	x	1-5/8"	4
BB-48	1-1/8"	x	1-5/8"	4
BB-52	1-7/16"	x	1-5/8"	4
BB-15	1-1/8"	x	1-3/4"	4
BB-16	1-5/16"	x	1-3/4"	4
BB-07	1-1/2"	x	1-7/8"	4
BB-20	1-1/2"	x	1-7/8"	4
BB-26	1-1/2"	x	1-7/8"	4
BB-25	1-7/8"	x	2"	4
BB-49	1-11/16"	x	2"	4
BB-27	1-1/2"	x	2-1/4"	4
BB-10	1-9/16"	x	2-1/4"	4
BB-11	1-1/2"	x	2-5/16"	5
BB-19	1-3/4"	x	2-3/8"	5

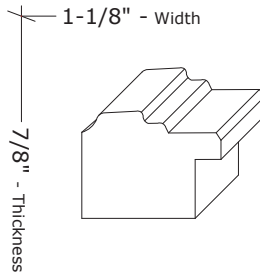
Request your own custom profile.

Call today!
1-847-869-8669

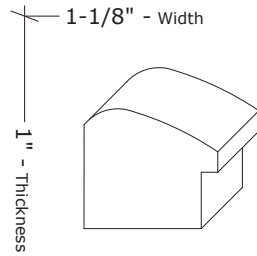
ASH-BB-30



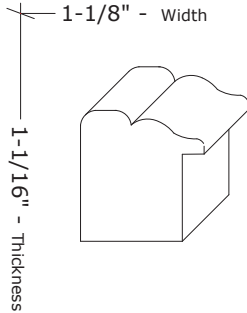
ASH-BB-35



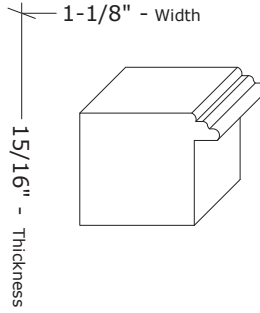
ASH-BB-32



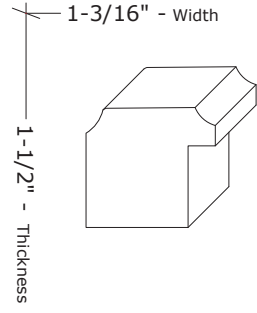
ASH-BB-14



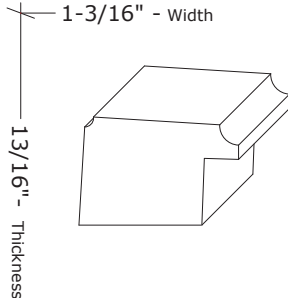
ASH-BB-51



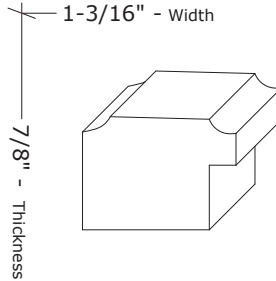
ASH-BB-42



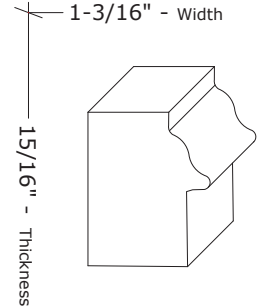
ASH-BB-01



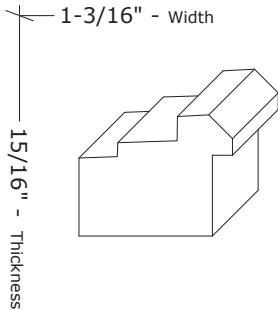
ASH-BB-34



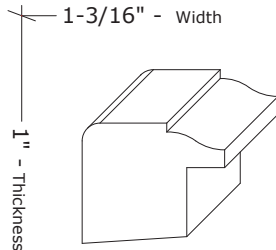
ASH-BB-28



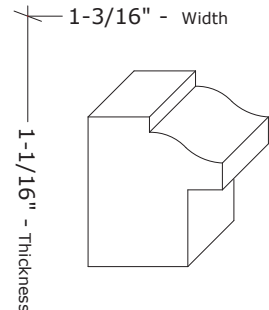
ASH-BB-36



ASH-BB-02



ASH-BB-17



Drawings are NOT actual size. Scaled drawings to size are available upon request.

*Profile Thicknesses, Heights and/or Widths may be modified.

Ashland Millwork
The finishing touch.™

2143 Ashland Avenue
Evanston, Illinois 60201
Tel: 1-847-869-8669 Fax: 1-847-869-8744
Email: sales@ashlandmillwork.com Web: www.ashlandmillwork.com

Job Name: _____
Architect/Builder: _____
Wood Species: _____ Qty: _____ LF.
Profile No.: _____

Sec. 2 - 2

BACK BAND Profiles

Builders Guide to Custom Moulding & Millwork 1.0

Sec. 2

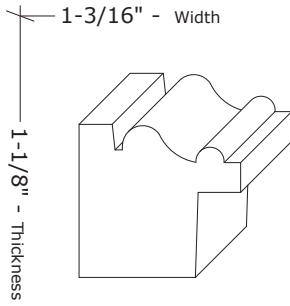
Profiles at a glance in order by Width.

Profile No.	Th (thickness)	x	W	Page
BB-38	1-3/16"	x	5/8"	1
BB-04	1-1/16"	x	3/4"	1
BB-24	7/8"	x	7/8"	1
BB-37	1"	x	7/8"	1
BB-18	11/16"	x	15/16"	1
BB-05	1"	x	1"	1
BB-06	1"	x	1"	1
BB-43	1"	x	1"	1
BB-50	1-5/16"	x	1"	1
BB-13	15/16"	x	1-1/6"	1
BB-31	13/16"	x	1-1/8"	1
BB-29	7/8"	x	1-1/8"	1
BB-30	7/8"	x	1-1/8"	2
BB-35	7/8"	x	1-1/8"	2
BB-32	1"	x	1-1/8"	2
BB-14	1-1/16"	x	1-1/8"	2
BB-51	15/16"	x	1-1/8"	2
BB-42	1-1/2"	x	1-3/16"	2
BB-01	13/16"	x	1-3/16"	2
BB-34	7/8"	x	1-3/16"	2
BB-28	15/16"	x	1-3/16"	2
BB-36	15/16"	x	1-3/16"	2
BB-02	1"	x	1-3/16"	2
BB-17	1-1/16"	x	1-3/16"	2
BB-12	1-1/8"	x	1-3/16"	3
BB-39	7/8"	x	1-1/4"	3
BB-44	1"	x	1-1/4"	3
BB-03	1-1/16"	x	1-1/4"	3
BB-09	1-1/8"	x	1-1/4"	3
BB-33	1-1/4"	x	1-1/4"	3
BB-41	15/16"	x	1-5/16"	3
BB-46	1-1/4"	x	1-5/16"	3
BB-40	3/4"	x	1-1/2"	3
BB-22	1-1/4"	x	1-1/2"	3
BB-08	1-3/8"	x	1-1/2"	3
BB-21	1-1/2"	x	1-5/8"	3
BB-47	1-1/2"	x	1-5/8"	4
BB-48	1-1/8"	x	1-5/8"	4
BB-52	1-7/16"	x	1-5/8"	4
BB-15	1-1/8"	x	1-3/4"	4
BB-16	1-5/16"	x	1-3/4"	4
BB-07	1-1/2"	x	1-7/8"	4
BB-20	1-1/2"	x	1-7/8"	4
BB-26	1-1/2"	x	1-7/8"	4
BB-25	1-7/8"	x	2"	4
BB-49	1-11/16"	x	2"	4
BB-27	1-1/2"	x	2-1/4"	4
BB-10	1-9/16"	x	2-1/4"	4
BB-11	1-1/2"	x	2-5/16"	5
BB-19	1-3/4"	x	2-3/8"	5

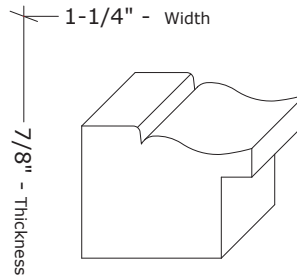
Request your own custom profile.

Call today!
1-847-869-8669

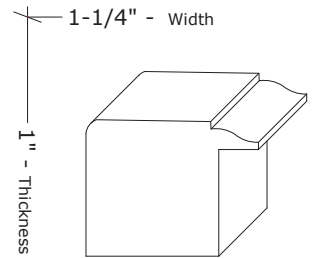
ASH-BB-12



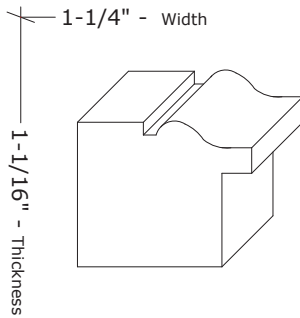
ASH-BB-39



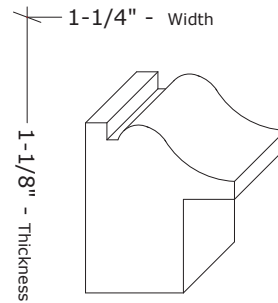
ASH-BB-44



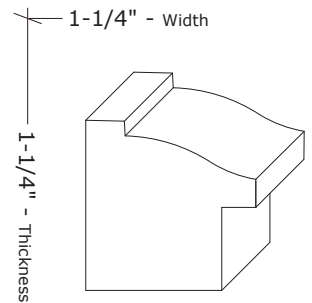
ASH-BB-03



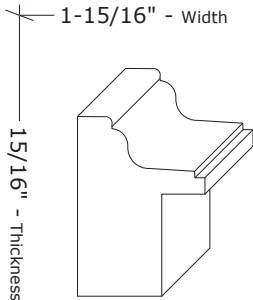
ASH-BB-09



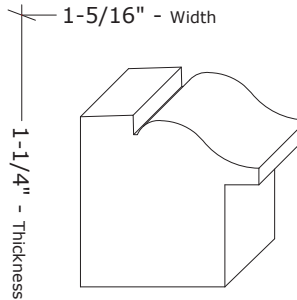
ASH-BB-33



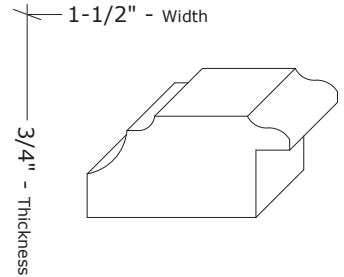
ASH-BB-41



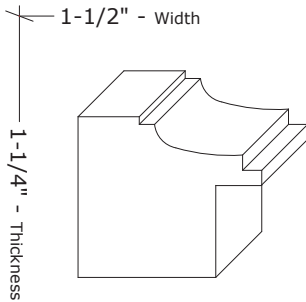
ASH-BB-46



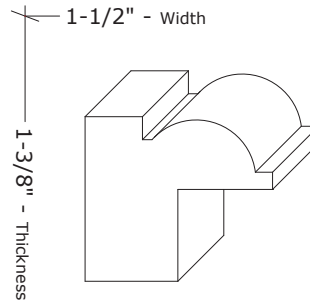
ASH-BB-40



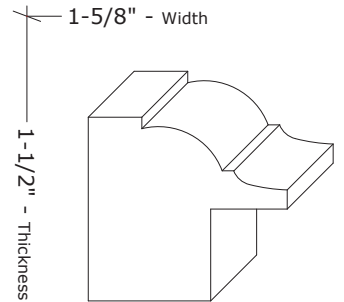
ASH-BB-22



ASH-BB-08



ASH-BB-21



Drawings are NOT actual size.
Scaled drawings are available upon request.

*Profile Thicknesses, Heights and/or Widths may be modified.

Ashland Millwork
The finishing touch.™

2143 Ashland Avenue
Evanston, Illinois 60201
Tel: 1-847-869-8669 Fax: 1-847-869-8744
Email: sales@ashlandmillwork.com Web: www.ashlandmillwork.com

Job Name: _____
Architect/Builder: _____
Wood Species: _____ Qty: _____ LF.
Profile No.: _____

Sec. 2 - 3

BACK BAND Profiles

Builders Guide to Custom Moulding & Millwork 1.0

Sec. 2

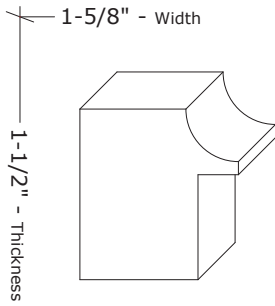
Profiles at a glance in order by Width.

Profile No.	Th (thickness)	x	W	Page
BB-38□	1-3/16"□x□	5/8"□	1	
BB-04□	1-1/16"□x□	3/4"□	1	
BB-24□	7/8"□ x□	7/8"□	1	
BB-37□	1"□ x□	7/8"□	1	
BB-18□	11/16"□ x□	15/16"□	1	
BB-05□	1"□ □ x□	1"□	1	
BB-06□	1"□ □ x□	1"□	1	
BB-43□	1"□ □ x□	1"□	1	
BB-50□	1-5/16"□x□	1"□	1	
BB-13□	15/16"□ x□	1-1/8"□	1	
BB-31□	13/16"□ x□	1-1/8"□	1	
BB-29□	7/8"□□ x□	1-1/8"□	1	
BB-30□	7/8"□□ x□	1-1/8"□	2	
BB-35□	7/8"□□ x□	1-1/8"□	2	
BB-32□	1"□ □ x□	1-1/8"□	2	
BB-14□	1-1/16"□x□	1-1/8"□	2	
BB-51□	15/16" □x□	1-1/8"□	2	
BB-42□	1-1/2"□ x□	1-3/16"□	2	
BB-01□	13/16"□ x□	1-3/16"□	2	
BB-34□	7/8"□ □ x□	1-3/16"□	2	
BB-28□	15/16"□ x□	1-3/16"□	2	
BB-36□	15/16"□ x□	1-3/16"□	2	
BB-02□	1"□ □ x□	1-3/16"□	2	
BB-17□	1-1/16"□x□	1-3/16"□	3	
BB-12□	1-1/8"□ x□	1-3/16"□	3	
BB-39□	7/8"□□ x□	1-1/4"□	3	
BB-44□	1"□ □ x□	1-1/4"□	3	
BB-03□	1-1/16"□x□	1-1/4"□	3	
BB-09□	1-1/8"□ x□	1-1/4"□	3	
BB-33□	1-1/4"□ x□	1-1/4"□	3	
BB-41□	15/16"□ x□	1-5/16"□	3	
BB-46□	1-1/4"□ x□	1-5/16"□	3	
BB-40□	3/4"□□ x□	1-1/2"□	3	
BB-22□	1-1/4"□ x□	1-1/2"□	3	
BB-08□	1-3/8"□ x□	1-1/2"□	3	
BB-21□	1-1/2"□ x□	1-5/8"□	3	
BB-47□	1-1/2"□ x□	1-5/8"□	4	
BB-48□	1-1/8"□ x□	1-5/8"□	4	
BB-52□	1-7/16"□x□	1-5/8"□	4	
BB-15□	1-1/8"□ x□	1-3/4"□	4	
BB-16□	1-5/16"□x□	1-3/4"□	4	
BB-07□	1-1/2"□ x□	1-7/8"□	4	
BB-20□	1-1/2"□ x□	1-7/8"□	4	
BB-26□	1-1/2"□ x□	1-7/8"□	4	
BB-25□	1-7/8"□ x□	2"□	4	
BB-49□	1-11/16"□□	2"□	4	
BB-27□	1-1/2"□ x□	2-1/4"□	4	
BB-10□	1-9/16"□x□	2-1/4"□	4	
BB-11□	1-1/2"□ x□	2-5/16"□	5	
BB-19□	1-3/4"□ x□	2-3/8"□	5	

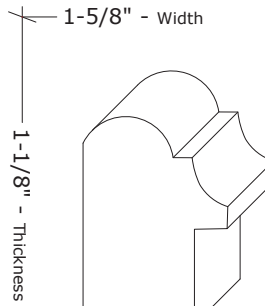
Request your own custom profile.

Call today!
1-847-869-8669

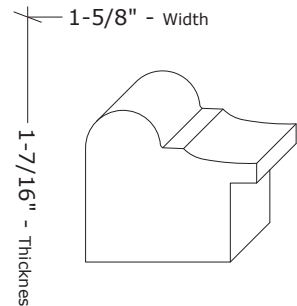
ASH-BB-47



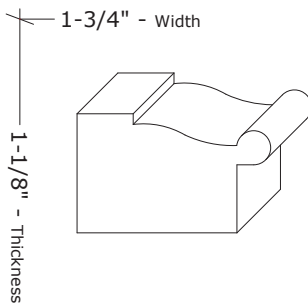
ASH-BB-48



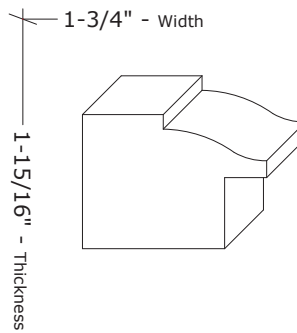
ASH-BB-52



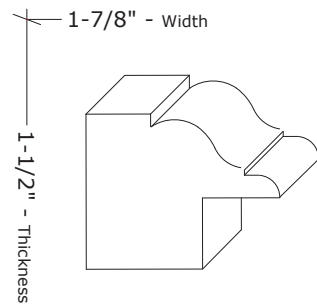
ASH-BB-15



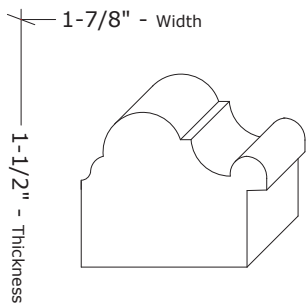
ASH-BB-16



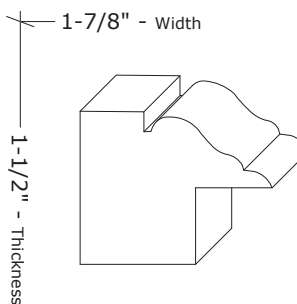
ASH-BB-07



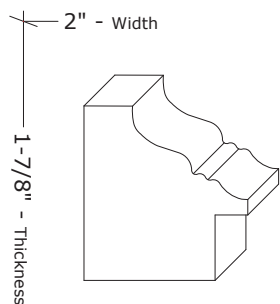
ASH-BB-20



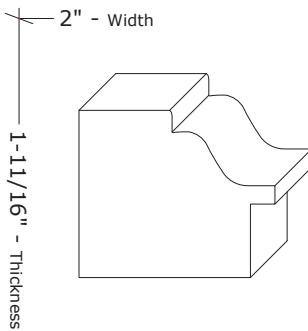
ASH-BB-26



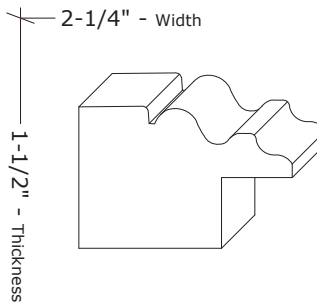
ASH-BB-25



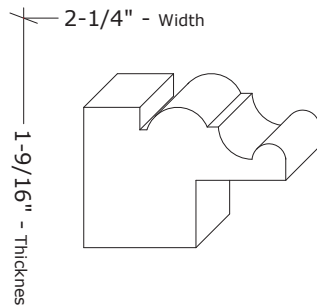
ASH-BB-49



ASH-BB-27



ASH-BB-10



Drawings are NOT actual size. Scaled drawings to size are available upon request.

Ashland Millwork
The finishing touch.™

2143 Ashland Avenue
Evanston, Illinois 60201
Tel: 1-847-869-8669 Fax: 1-847-869-8744
Email: sales@ashlandmillwork.com Web: www.ashlandmillwork.com

*Profile Thicknesses, Heights and/or Widths may be modified.

Job Name: _____
Architect/Builder: _____
Wood Species: _____ Qty: _____ LF.
Profile No.: _____

Sec. 2 - 4

BACK BAND Profiles

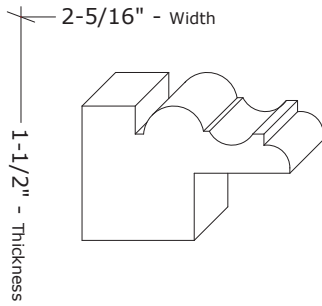
Builders Guide to Custom Moulding & Millwork 1.0

Sec. 2

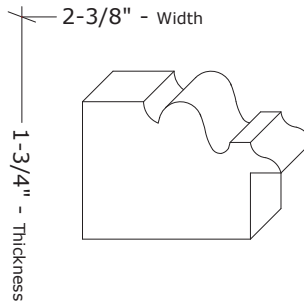
Profiles at a glance in order by Width.

Profile No.	Th (thickness)	x	W	Page
BB-38	1-3/16"	x	5/8"	1
BB-04	1-1/16"	x	3/4"	1
BB-24	7/8"	x	7/8"	1
BB-37	1"	x	7/8"	1
BB-18	11/16"	x	15/16"	1
BB-05	1"	x	1"	1
BB-06	1"	x	1"	1
BB-43	1"	x	1"	1
BB-50	1-5/16"	x	1"	1
BB-13	15/16"	x	1-1/8"	1
BB-31	13/16"	x	1-1/8"	1
BB-29	7/8"	x	1-1/8"	1
BB-30	7/8"	x	1-1/8"	2
BB-35	7/8"	x	1-1/8"	2
BB-32	1"	x	1-1/8"	2
BB-14	1-1/16"	x	1-1/8"	2
BB-51	15/16"	x	1-1/8"	2
BB-42	1-1/2"	x	1-3/16"	2
BB-01	13/16"	x	1-3/16"	2
BB-34	7/8"	x	1-3/16"	2
BB-28	15/16"	x	1-3/16"	2
BB-36	15/16"	x	1-3/16"	2
BB-02	1"	x	1-3/16"	2
BB-17	1-1/16"	x	1-3/16"	2
BB-12	1-1/8"	x	1-3/16"	3
BB-39	7/8"	x	1-1/4"	3
BB-44	1"	x	1-1/4"	3
BB-03	1-1/16"	x	1-1/4"	3
BB-09	1-1/8"	x	1-1/4"	3
BB-33	1-1/4"	x	1-1/4"	3
BB-41	15/16"	x	1-5/16"	3
BB-46	1-1/4"	x	1-5/16"	3
BB-40	3/4"	x	1-1/2"	3
BB-22	1-1/4"	x	1-1/2"	3
BB-08	1-3/8"	x	1-1/2"	3
BB-21	1-1/2"	x	1-5/8"	3
BB-47	1-1/2"	x	1-5/8"	4
BB-48	1-1/8"	x	1-5/8"	4
BB-52	1-7/16"	x	1-5/8"	4
BB-15	1-1/8"	x	1-3/4"	4
BB-16	1-5/16"	x	1-3/4"	4
BB-07	1-1/2"	x	1-7/8"	4
BB-20	1-1/2"	x	1-7/8"	4
BB-26	1-1/2"	x	1-7/8"	4
BB-25	1-7/8"	x	2"	4
BB-49	1-11/16"	x	2"	4
BB-27	1-1/2"	x	2-1/4"	4
BB-10	1-9/16"	x	2-1/4"	4
BB-11	1-1/2"	x	2-5/16"	5
BB-19	1-3/4"	x	2-3/8"	5

ASH-BB-11



ASH-BB-19



Request your own custom profile.

Call today!
1-847-869-8669

Drawings are NOT actual size.
Scaled drawings to size are available upon request.

Ashland Millwork
The finishing touch.™

2143 Ashland Avenue
Evanston, Illinois 60201
Tel: 1-847-869-8669 Fax: 1-847-869-8744
Email: sales@ashlandmillwork.com Web: www.ashlandmillwork.com

*Profile Thicknesses, Heights and/or Widths may be modified.

Job Name: _____
Architect/Builder: _____
Wood Species: _____ Qty: _____ LF.
Profile No.: _____

Sec. 2 - 5