

# BACK BAND Profiles

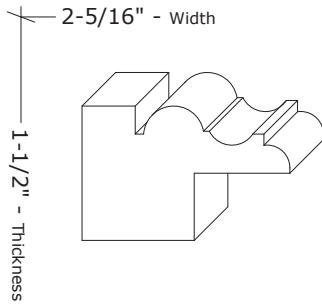
Builders Guide to Custom Moulding & Millwork 1.2

## Sec. 2

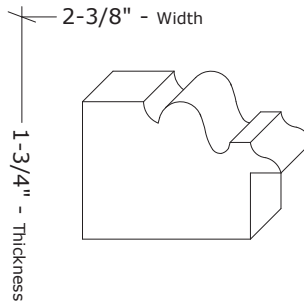
Profiles at a glance in order by Width.

| Profile No. | Th (thickness) | x | W       | Page |
|-------------|----------------|---|---------|------|
| BB-38       | 1-3/16"        | x | 5/8"    | 1    |
| BB-04       | 1-1/16"        | x | 3/4"    | 1    |
| BB-24       | 7/8"           | x | 7/8"    | 1    |
| BB-37       | 1"             | x | 7/8"    | 1    |
| BB-18       | 11/16"         | x | 15/16"  | 1    |
| BB-05       | 1"             | x | 1"      | 1    |
| BB-06       | 1"             | x | 1"      | 1    |
| BB-43       | 1"             | x | 1"      | 1    |
| BB-50       | 1-5/16"        | x | 1"      | 1    |
| BB-13       | 15/16"         | x | 1-1/8"  | 1    |
| BB-31       | 13/16"         | x | 1-1/8"  | 1    |
| BB-29       | 7/8"           | x | 1-1/8"  | 1    |
| BB-30       | 7/8"           | x | 1-1/8"  | 2    |
| BB-35       | 7/8"           | x | 1-1/8"  | 2    |
| BB-32       | 1"             | x | 1-1/8"  | 2    |
| BB-14       | 1-1/16"        | x | 1-1/8"  | 2    |
| BB-51       | 15/16"         | x | 1-1/8"  | 2    |
| BB-42       | 1-1/2"         | x | 1-3/16" | 2    |
| BB-01       | 13/16"         | x | 1-3/16" | 2    |
| BB-34       | 7/8"           | x | 1-3/16" | 2    |
| BB-28       | 15/16"         | x | 1-3/16" | 2    |
| BB-36       | 15/16"         | x | 1-3/16" | 2    |
| BB-02       | 1"             | x | 1-3/16" | 2    |
| BB-17       | 1-1/16"        | x | 1-3/16" | 2    |
| BB-12       | 1-1/8"         | x | 1-3/16" | 3    |
| BB-39       | 7/8"           | x | 1-1/4"  | 3    |
| BB-44       | 1"             | x | 1-1/4"  | 3    |
| BB-03       | 1-1/16"        | x | 1-1/4"  | 3    |
| BB-09       | 1-1/8"         | x | 1-1/4"  | 3    |
| BB-33       | 1-1/4"         | x | 1-1/4"  | 3    |
| BB-41       | 15/16"         | x | 1-5/16" | 3    |
| BB-46       | 1-1/4"         | x | 1-5/16" | 3    |
| BB-40       | 3/4"           | x | 1-1/2"  | 3    |
| BB-22       | 1-1/4"         | x | 1-1/2"  | 3    |
| BB-08       | 1-3/8"         | x | 1-1/2"  | 3    |
| BB-21       | 1-1/2"         | x | 1-5/8"  | 3    |
| BB-47       | 1-1/2"         | x | 1-5/8"  | 4    |
| BB-48       | 1-1/8"         | x | 1-5/8"  | 4    |
| BB-52       | 1-7/16"        | x | 1-5/8"  | 4    |
| BB-15       | 1-1/8"         | x | 1-3/4"  | 4    |
| BB-16       | 1-5/16"        | x | 1-3/4"  | 4    |
| BB-07       | 1-1/2"         | x | 1-7/8"  | 4    |
| BB-20       | 1-1/2"         | x | 1-7/8"  | 4    |
| BB-26       | 1-1/2"         | x | 1-7/8"  | 4    |
| BB-25       | 1-7/8"         | x | 2"      | 4    |
| BB-49       | 1-11/16"       | x | 2"      | 4    |
| BB-27       | 1-1/2"         | x | 2-1/4"  | 4    |
| BB-10       | 1-9/16"        | x | 2-1/4"  | 4    |
| BB-11       | 1-1/2"         | x | 2-5/16" | 5    |
| BB-19       | 1-3/4"         | x | 2-3/8"  | 5    |

### ASH-BB-11



### ASH-BB-19



Request your own custom profile.

**Call today!**  
1-847-465-8101

**Ashland Millwork**  
The finishing touch.™

5 Messner Drive  
Wheeling, IL 60090  
Tel: 1-847-465-8101 Fax: 1-847-465-8102  
Email: sales@ashlandmillwork.com Web: www.ashlandmillwork.com

\*Profile Thicknesses, Heights and/or Widths may be modified.

Job Name: \_\_\_\_\_  
Architect/Builder: \_\_\_\_\_  
Wood Species: \_\_\_\_\_ Qty: \_\_\_\_\_ LF.  
Profile No.: \_\_\_\_\_

**Sec. 2 - 5**

Drawings are NOT actual size.  
Scaled drawings to size are available upon request.