

BRICK MOULD Profiles

Builders Guide to Custom Moulding & Millwork 1.2

Sec. 5

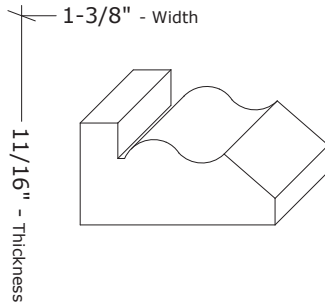
Profiles at a glance in order by Width.

| Profile No. | Th (thickness) | x | W | Page |
|-------------|----------------|---|----------|------|
| BR-8 | 11/16" | x | 1-3/8" | 1 |
| BR-18 | 15/16" | x | 1-1/2" | 1 |
| BR-24 | 1-1/2" | x | 1-3/4" | 1 |
| BR-14 | 1-1/2" | x | 1-13/16" | 1 |
| BR-1 | 1-1/2" | x | 1-7/8" | 1 |
| BR-25 | 1-3/8" | x | 1-15/16" | 1 |
| BR-28 | 1-9/16" | x | 1-15/16" | 2 |
| BR-22 | 1-3/4" | x | 1-15/16" | 2 |
| BR-15 | 1-3/16" | x | 2" | 2 |
| BR-10 | 1-1/4" | x | 2" | 2 |
| BR-9 | 1-3/4" | x | 2" | 2 |
| BR-3 | 2" | x | 2" | 2 |
| BR-17 | 1-1/16" | x | 2-3/8" | 3 |
| BR-6 | 1-3/8" | x | 2-1/2" | 3 |
| BR-16 | 1-11/16" | x | 2-11/16" | 3 |
| BR-7 | 1-1/8" | x | 2-3/4" | 3 |
| BR-2 | 1-11/16" | x | 2-3/4" | 3 |
| BR-27 | 1-11/16" | x | 3" | 3 |
| BR-13 | 1" | x | 3-1/2" | 4 |
| BR-12 | 1-1/2" | x | 3-1/2" | 4 |
| BR-19 | 1-7/8" | x | 3-1/2" | 4 |
| BR-4 | 2" | x | 3-1/2" | 4 |
| BR-20 | 1-3/4" | x | 4-5/8" | 4 |
| BR-5 | 1-7/8" | x | 5-3/8" | 4 |
| BR-11 | 1-1/2" | x | 5-1/2" | 5 |
| BR-21 | 1-7/8" | x | 5-1/2" | 5 |

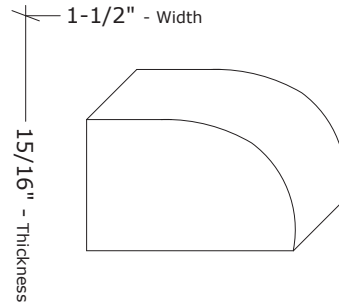
Request your own custom profile.

Call today!
1-847-465-8101

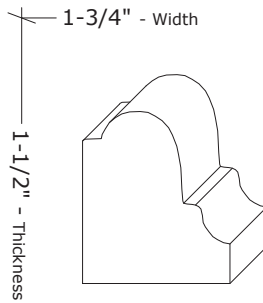
ASH-BR-8



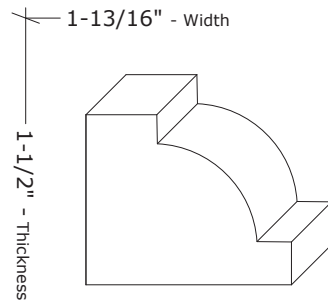
ASH-BR-18



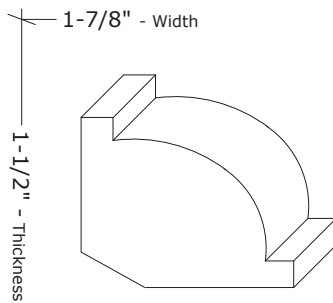
ASH-BR-24



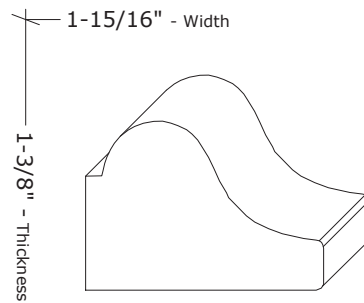
ASH-BR-14



ASH-BR-1



ASH-BR-25



Drawings are NOT actual size.
Scaled drawings to size available upon request.

*Profile Thicknesses, Widths and/or Widths may be modified.

Ashland Millwork
The finishing touch.™

5 Messner Drive
Wheeling, IL 60090
Tel: 1-847-465-8101 Fax: 1-847-465-8102
Email: sales@ashlandmillwork.com Web: www.ashlandmillwork.com

Job Name: _____
Architect/Builder: _____
Wood Species: _____ Qty: _____ LF.
Profile No.: _____

Sec. 5 - 1