

BRICK MOULD Profiles

Builders Guide to Custom Moulding & Millwork 1.0

Sec. 5

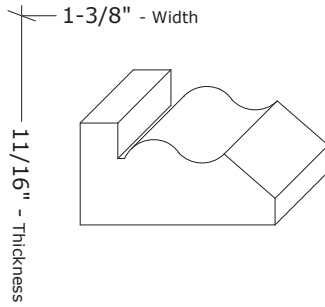
Profiles at a glance in order by Width.

Profile No.	Th (thickness)	x	W	Page
BR-8	11/16"	x	1-3/8"	1
BR-18	15/16"	x	1-1/2"	1
BR-24	1-1/2"	x	1-3/4"	1
BR-14	1-1/2"	x	1-13/16"	1
BR-1	1-1/2"	x	1-7/8"	1
BR-25	1-3/8"	x	1-15/16"	1
BR-28	1-9/16"	x	1-15/16"	2
BR-22	1-3/4"	x	1-15/16"	2
BR-15	1-3/16"	x	2"	2
BR-10	1-1/4"	x	2"	2
BR-9	1-3/4"	x	2"	2
BR-3	2"	x	2"	2
BR-17	1-1/16"	x	2-3/8"	3
BR-6	1-3/8"	x	2-1/2"	3
BR-16	1-11/16"	x	2-11/16"	3
BR-7	1-1/8"	x	2-3/4"	3
BR-2	1-11/16"	x	2-3/4"	3
BR-27	1-11/16"	x	3"	3
BR-13	1"	x	3-1/2"	4
BR-12	1-1/2"	x	3-1/2"	4
BR-19	1-7/8"	x	3-1/2"	4
BR-4	2"	x	3-1/2"	4
BR-20	1-3/4"	x	4-5/8"	4
BR-5	1-7/8"	x	5-3/8"	4
BR-11	1-1/2"	x	5-1/2"	5
BR-21	1-7/8"	x	5-1/2"	5

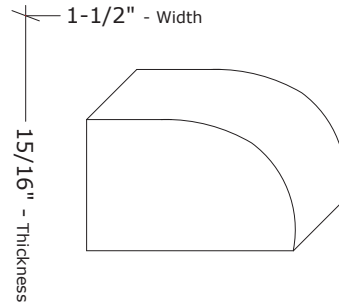
Request your own custom profile.

Call today!
1-847-869-8669

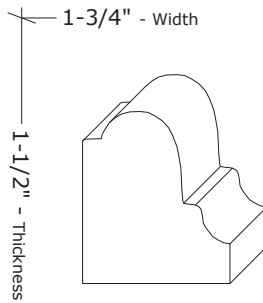
ASH-BR-8



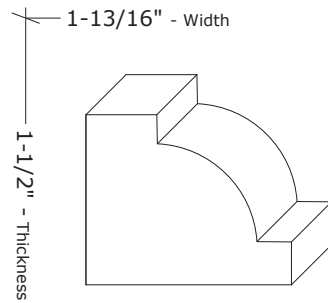
ASH-BR-18



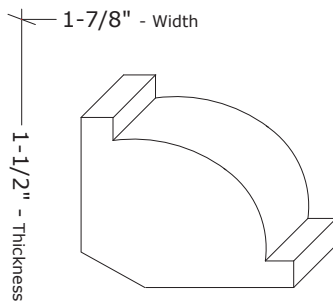
ASH-BR-24



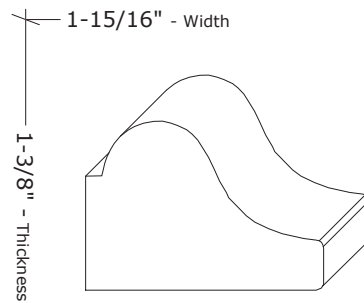
ASH-BR-14



ASH-BR-1



ASH-BR-25



*Profile Thicknesses, Widths and/or Widths may be modified.

Ashland Millwork
The finishing touch.™

2143 Ashland Avenue
Evanston, Illinois 60201
Tel: 1-847-869-8669 Fax: 1-847-869-8744
Email: sales@ashlandmillwork.com Web: www.ashlandmillwork.com

Job Name: _____
Architect/Builder: _____
Wood Species: _____ Qty: _____ LF.
Profile No.: _____

Sec. 5 - 1

Drawings are NOT actual size.
Scaled drawings to size available upon request.

BRICK MOULD Profiles

Builders Guide to Custom Moulding & Millwork 1.0

Sec. 5

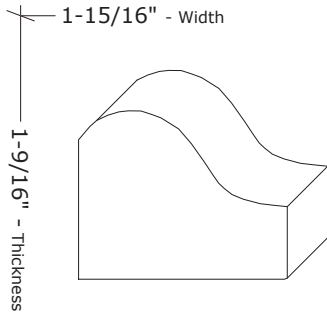
Profiles at a glance in order by Width.

Profile No.	Th (thickness)	x	W	Page
BR-8	11/16"	x	1-3/8"	1
BR-18	15/16"	x	1-1/2"	1
BR-24	1-1/2"	x	1-3/4"	1
BR-14	1-1/2"	x	1-13/16"	1
BR-1	1-1/2"	x	1-7/8"	1
BR-25	1-3/8"	x	1-15/16"	1
BR-28	1-9/16"	x	1-15/16"	2
BR-22	1-3/4"	x	1-15/16"	2
BR-15	1-3/16"	x	2"	2
BR-10	1-1/4"	x	2"	2
BR-9	1-3/4"	x	2"	2
BR-3	2"	x	2"	2
BR-17	1-1/16"	x	2-3/8"	3
BR-6	1-3/8"	x	2-1/2"	3
BR-16	1-11/16"	x	2-11/16"	3
BR-7	1-1/8"	x	2-3/4"	3
BR-2	1-11/16"	x	2-3/4"	3
BR-27	1-11/16"	x	3"	3
BR-13	1"	x	3-1/2"	4
BR-12	1-1/2"	x	3-1/2"	4
BR-19	1-7/8"	x	3-1/2"	4
BR-4	2"	x	3-1/2"	4
BR-20	1-3/4"	x	4-5/8"	4
BR-5	1-7/8"	x	5-3/8"	4
BR-11	1-1/2"	x	5-1/2"	5
BR-21	1-7/8"	x	5-1/2"	5

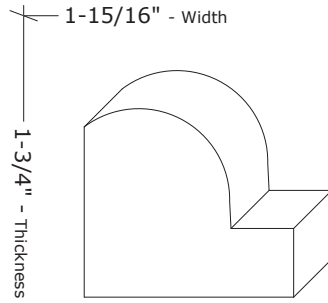
Request your own custom profile.

Call today!
1-847-869-8669

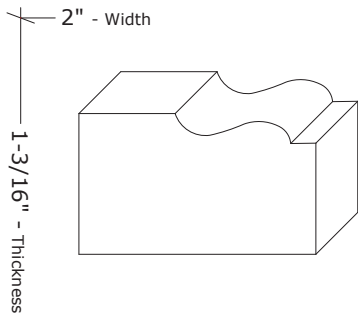
ASH-BR-28



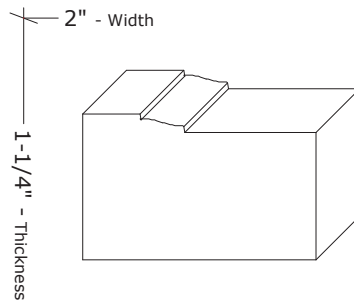
ASH-BR-22



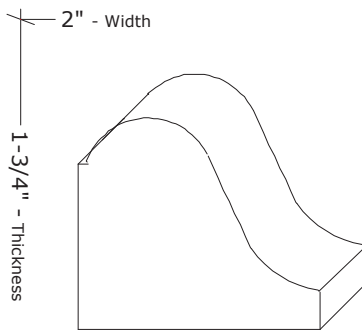
ASH-BR-15



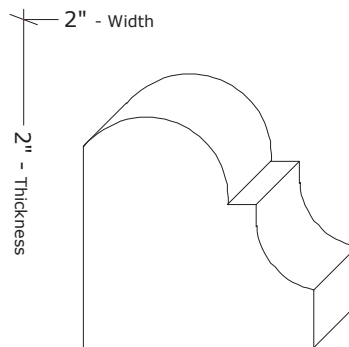
ASH-BR-10



ASH-BR-9



ASH-BR-3



Ashland Millwork

The finishing touch.™

2143 Ashland Avenue
Evanston, Illinois 60201

Tel: 1-847-869-8669 Fax: 1-847-869-8744

Email: sales@ashlandmillwork.com Web: www.ashlandmillwork.com

Job Name: _____

Architect/Builder: _____

Wood Species: _____ Qty: _____ LF.

Profile No.: _____

Sec. 5 - 2

*Profile Thicknesses, Widths and/or Widths may be modified.

© 2003 All Rights Reserved. Ashland Millwork, Inc.

Drawings are NOT actual size.
Scaled drawings to size available upon request.

BRICK MOULD Profiles

Builders Guide to Custom Moulding & Millwork 1.0

Sec. 5

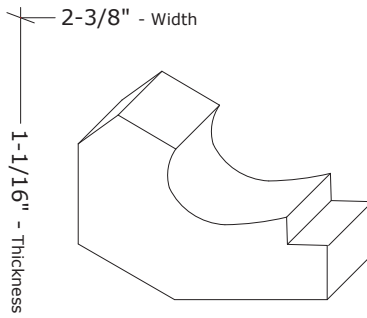
Profiles at a glance in order by Width.

Profile No.	Th (thickness)	x	W	Page
BR-8	11/16"	x	1-3/8"	1
BR-18	15/16"	x	1-1/2"	1
BR-24	1-1/2"	x	1-3/4"	1
BR-14	1-1/2"	x	1-13/16"	1
BR-1	1-1/2"	x	1-7/8"	1
BR-25	1-3/8"	x	1-15/16"	1
BR-28	1-9/16"	x	1-15/16"	2
BR-22	1-3/4"	x	1-15/16"	2
BR-15	1-3/16"	x	2"	2
BR-10	1-1/4"	x	2"	2
BR-9	1-3/4"	x	2"	2
BR-3	2"	x	2"	2
BR-17	1-1/16"	x	2-3/8"	3
BR-6	1-3/8"	x	2-1/2"	3
BR-16	1-11/16"	x	2-11/16"	3
BR-7	1-1/8"	x	2-3/4"	3
BR-2	1-11/16"	x	2-3/4"	3
BR-27	1-11/16"	x	3"	3
BR-13	1"	x	3-1/2"	4
BR-12	1-1/2"	x	3-1/2"	4
BR-19	1-7/8"	x	3-1/2"	4
BR-4	2"	x	3-1/2"	4
BR-20	1-3/4"	x	4-5/8"	4
BR-5	1-7/8"	x	5-3/8"	4
BR-11	1-1/2"	x	5-1/2"	5
BR-21	1-7/8"	x	5-1/2"	5

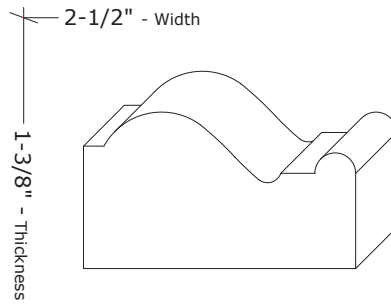
Request your own custom profile.

Call today!
1-847-869-8669

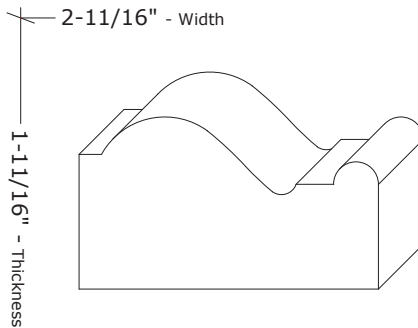
ASH-BR-17



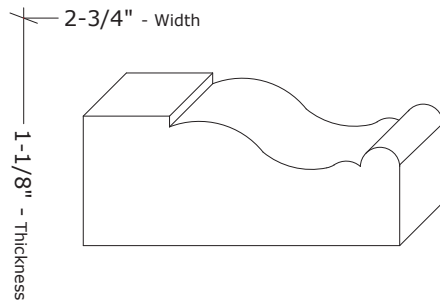
ASH-BR-6



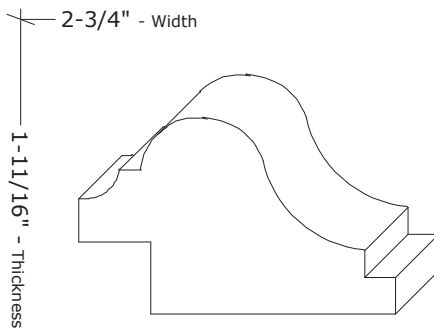
ASH-BR-16



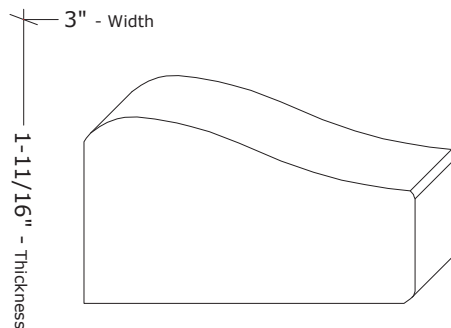
ASH-BR-7



ASH-BR-2



ASH-BR-27



*Profile Thicknesses, Widths and/or Widths may be modified.

Ashland Millwork

The finishing touch.™

2143 Ashland Avenue
Evanston, Illinois 60201

Tel: 1-847-869-8669 Fax: 1-847-869-8744

Email: sales@ashlandmillwork.com Web: www.ashlandmillwork.com

Job Name: _____

Architect/Builder: _____

Wood Species: _____ Qty: _____ LF.

Profile No.: _____

Sec. 5 - 3

Drawings are NOT actual size.
Scaled drawings to size available upon request.

BRICK MOULD Profiles

Builders Guide to Custom Moulding & Millwork 1.0

Sec. 5

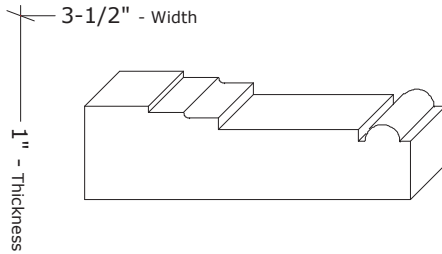
Profiles at a glance in order by Width.

Profile No.	Th (thickness)	x	W	Page
BR-8	11/16"	x	1-3/8"	1
BR-18	15/16"	x	1-1/2"	1
BR-24	1-1/2"	x	1-3/4"	1
BR-14	1-1/2"	x	1-13/16"	1
BR-1	1-1/2"	x	1-7/8"	1
BR-25	1-3/8"	x	1-15/16"	1
BR-28	1-9/16"	x	1-15/16"	2
BR-22	1-3/4"	x	1-15/16"	2
BR-15	1-3/16"	x	2"	2
BR-10	1-1/4"	x	2"	2
BR-9	1-3/4"	x	2"	2
BR-3	2"	x	2"	2
BR-17	1-1/16"	x	2-3/8"	3
BR-6	1-3/8"	x	2-1/2"	3
BR-16	1-11/16"	x	2-11/16"	3
BR-7	1-1/8"	x	2-3/4"	3
BR-2	1-11/16"	x	2-3/4"	3
BR-27	1-11/16"	x	3"	3
BR-13	1"	x	3-1/2"	4
BR-12	1-1/2"	x	3-1/2"	4
BR-19	1-7/8"	x	3-1/2"	4
BR-4	2"	x	3-1/2"	4
BR-20	1-3/4"	x	4-5/8"	4
BR-5	1-7/8"	x	5-3/8"	4
BR-11	1-1/2"	x	5-1/2"	5
BR-21	1-7/8"	x	5-1/2"	5

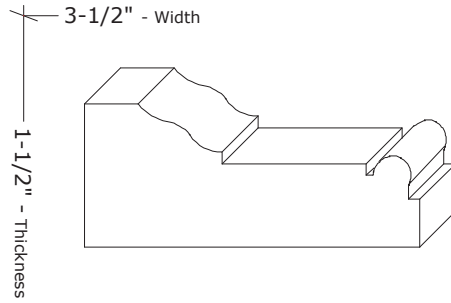
Request your own custom profile.

Call today!
1-847-869-8669

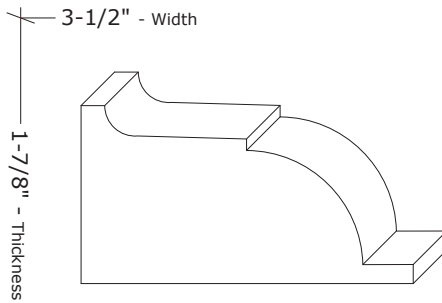
ASH-BR-13



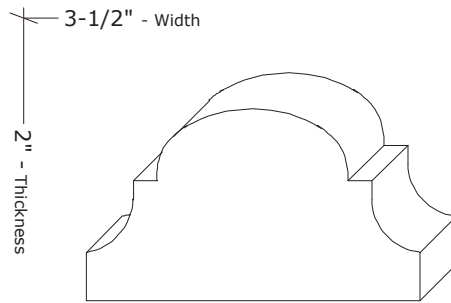
ASH-BR-12



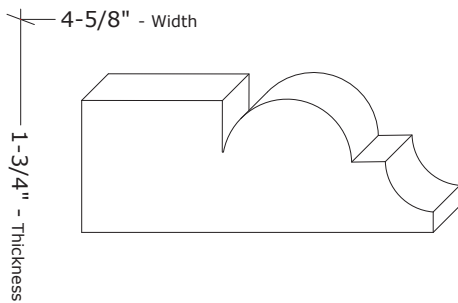
ASH-BR-19



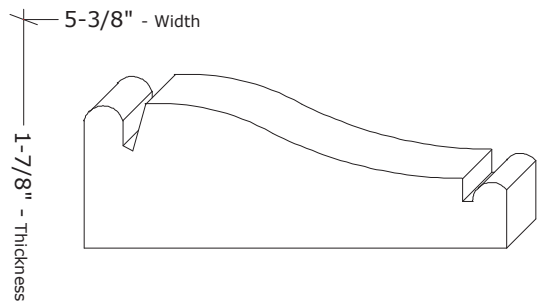
ASH-BR-4



ASH-BR-20



ASH-BR-5



Drawings are NOT actual size. Scaled drawings to size available upon request.

*Profile Thicknesses, Widths and/or Widths may be modified.

Ashland Millwork

The finishing touch.™

2143 Ashland Avenue
Evanston, Illinois 60201

Tel: 1-847-869-8669 Fax: 1-847-869-8744

Email: sales@ashlandmillwork.com Web: www.ashlandmillwork.com

Job Name: _____

Architect/Builder: _____

Wood Species: _____ Qty: _____ LF.

Profile No.: _____

Sec. 5 - 4

BRICK MOULD Profiles

Builders Guide to Custom Moulding & Millwork 1.0

Sec. 5

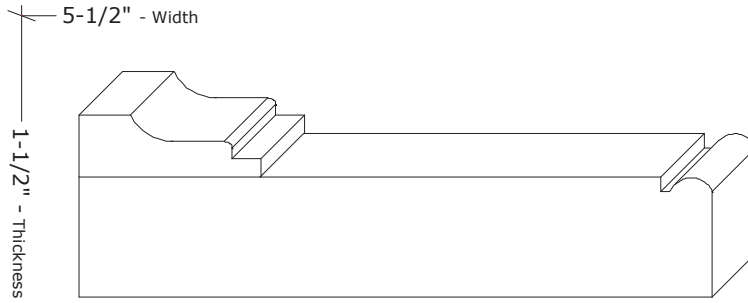
Profiles at a glance in order by Width.

Profile No.	Th (thickness)	x	W	Page
BR-8	11/16"	x	1-3/8"	1
BR-18	15/16"	x	1-1/2"	1
BR-24	1-1/2"	x	1-3/4"	1
BR-14	1-1/2"	x	1-13/16"	1
BR-1	1-1/2"	x	1-7/8"	1
BR-25	1-3/8"	x	1-15/16"	1
BR-28	1-9/16"	x	1-15/16"	2
BR-22	1-3/4"	x	1-15/16"	2
BR-15	1-3/16"	x	2"	2
BR-10	1-1/4"	x	2"	2
BR-9	1-3/4"	x	2"	2
BR-3	2"	x	2"	2
BR-17	1-1/16"	x	2-3/8"	3
BR-6	1-3/8"	x	2-1/2"	3
BR-16	1-11/16"	x	2-11/16"	3
BR-7	1-1/8"	x	2-3/4"	3
BR-2	1-11/16"	x	2-3/4"	3
BR-27	1-11/16"	x	3"	3
BR-13	1"	x	3-1/2"	4
BR-12	1-1/2"	x	3-1/2"	4
BR-19	1-7/8"	x	3-1/2"	4
BR-4	2"	x	3-1/2"	4
BR-20	1-3/4"	x	4-5/8"	4
BR-5	1-7/8"	x	5-3/8"	4
BR-11	1-1/2"	x	5-1/2"	5
BR-21	1-7/8"	x	5-1/2"	5

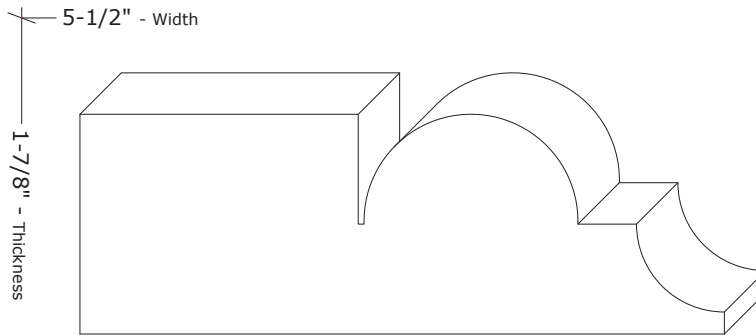
Request your own custom profile.

Call today!
1-847-869-8669

ASH-BR-11



ASH-BR-21



Drawings are NOT actual size.
Scaled drawings to size available upon request.

Ashland Millwork
The finishing touch.™

2143 Ashland Avenue
Evanston, Illinois 60201

Tel: 1-847-869-8669 Fax: 1-847-869-8744

Email: sales@ashlandmillwork.com Web: www.ashlandmillwork.com

*Profile Thicknesses, Widths and/or Widths may be modified.

Job Name: _____

Architect/Builder: _____

Wood Species: _____ Qty: _____ LF.

Profile No.: _____

Sec. 5 - 5