

CORNICE Profiles

Builders Guide to Custom Moulding & Millwork 1.0

Sec. 8

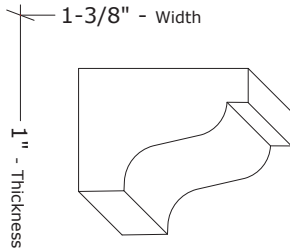
Profiles at a glance in order by Width.

Profile No.	Th (Width)	x	W	Page
COR-22	1" □ □ x □	1-3/8" □	1	
COR-24	1-1/8" □ x □	1-3/8" □	1	
COR-8	13/16" □ x □	1-1/2" □	1	
COR-12	7/8" □ □ x □	1-1/2" □	1	
COR-13	1-1/8" □ x □	1-1/2" □	1	
COR-18	1-1/4" □ x □	1-1/2" □	1	
COR-11	1-1/16" □ x □	1-9/16" □	1	
COR-20	1-3/8" □ x □	1-5/8" □	1	
COR-25	1-11/16" □ x □	1-3/4" □	2	
COR-29	1-11/16" □ □ x □	1-3/4" □	2	
COR-27	15/16" □ x □	1-13/16" □	2	
COR-21	5/8" □ □ x □	1-7/8" □	2	
COR-7	7/8" □ □ x □	1-7/8" □	2	
COR-6	5/8" □ x □	2" □	2	
COR-15	13/16" □ x □	2" □	2	
COR-30	1-1/2" □ x □	2-1/16" □	2	
COR-23	3/4" □ □ x □	2-3/16" □	3	
COR-26	1-1/2" □ x □	2-1/4" □	3	
COR-3	3/4" □ □ x □	2-1/4" □	3	
COR-10	1-1/8" □ x □	2-1/4" □	3	
COR-17	1-1/2" □ x □	2-1/4" □	3	
COR-4	3/4" □ x □	2-5/16" □	3	
COR-16	1" □ □ x □	2-3/8" □	3	
COR-14	7/8" □ x □	2-1/2" □	3	
COR-19	1-3/4" □ x □	2-1/2" □	4	
COR-5	3/4" □ □ x □	2-9/16" □	4	
COR-2	3/4" □ □ x □	2-5/8" □	4	
COR-1	7/8" □ x □	2-5/8" □	4	
COR-9	2-3/8" □ x □	2-7/8" □	4	

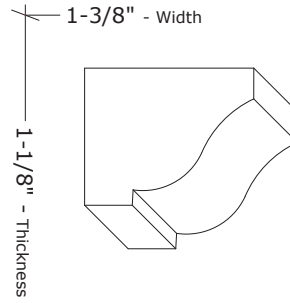
Request your own custom profile.

Call today!
1-847-869-8669

ASH-COR-22



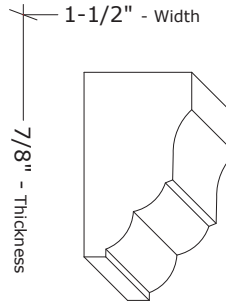
ASH-COR-24



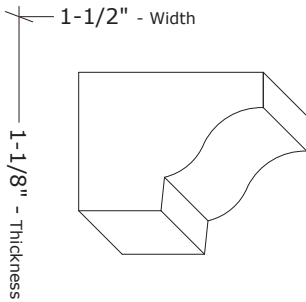
ASH-COR-8



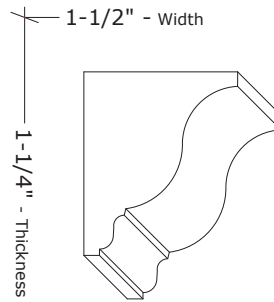
ASH-COR-12



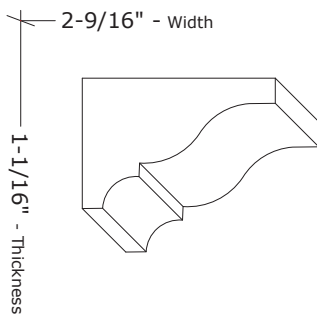
ASH-COR-13



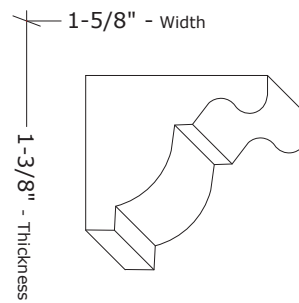
ASH-COR-18



ASH-COR-11



ASH-COR-20



*Profile Thicknesses, Heights and/or Widths may be modified.

Ashland Millwork
The finishing touch.™

2143 Ashland Avenue
Evanston, Illinois 60201

Tel: 1-847-869-8669 Fax: 1-847-869-8744

Email: sales@ashlandmillwork.com Web: www.ashlandmillwork.com

Job Name: _____

Architect/Builder: _____

Wood Species: _____ Qty: _____ LF.

Profile No.: _____

Sec. 8 - 1

Drawings are NOT actual size.
Scaled drawings to size are available upon request.

Sec. 8

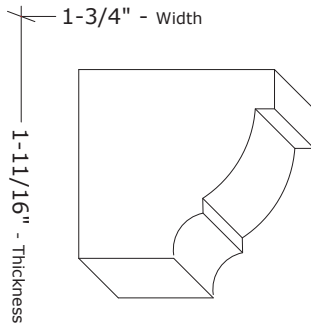
Profiles at a glance in order by Width.

Profile No.	Th (Width)	x	W	Page
COR-22	1" □ □	x □	1-3/8" □	1
COR-24	1-1/8" □	x □	1-3/8" □	1
COR-8	13/16" □	x □	1-1/2" □	1
COR-12	7/8" □ □	x □	1-1/2" □	1
COR-13	1-1/8" □	x □	1-1/2" □	1
COR-18	1-1/4" □	x □	1-1/2" □	1
COR-11	1-1/16" □	x □	1-9/16" □	1
COR-20	1-3/8" □	x □	1-5/8" □	1
COR-25	1-1/16" □	x □	1-3/4" □	2
COR-29	1-1/16" □ □	x □	1-3/4" □	2
COR-27	15/16" □	x □	1-13/16" □	2
COR-21	5/8" □ □	x □	1-7/8" □	2
COR-7	7/8" □ □	x □	1-7/8" □	2
COR-6	5/8" □	x □	2" □	2
COR-15	13/16" □	x □	2" □	2
COR-30	1-1/2" □	x □	2-1/16" □	2
COR-23	3/4" □ □	x □	2-3/16" □	3
COR-26	1-1/2" □	x □	2-1/4" □	3
COR-3	3/4" □ □	x □	2-1/4" □	3
COR-10	1-1/8" □	x □	2-1/4" □	3
COR-17	1-1/2" □	x □	2-1/4" □	3
COR-4	3/4" □	x □	2-5/16" □	3
COR-16	1" □	x □	2-3/8" □	3
COR-14	7/8" □	x □	2-1/2" □	3
COR-19	1-3/4" □	x □	2-1/2" □	4
COR-5	3/4" □ □	x □	2-9/16" □	4
COR-2	3/4" □ □	x □	2-5/8" □	4
COR-1	7/8" □	x □	2-5/8" □	4
COR-9	2-3/8" □	x □	2-7/8" □	4

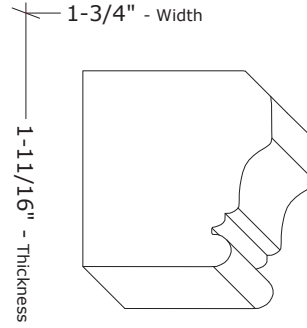
Request your own custom profile.

Call today!
1-847-869-8669

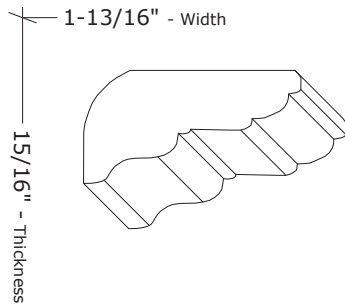
ASH-COR-25



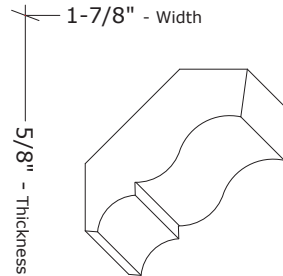
ASH-COR-29



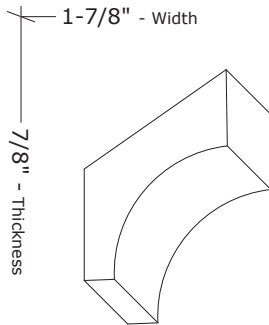
ASH-COR-27



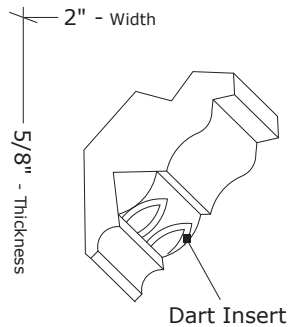
ASH-COR-21



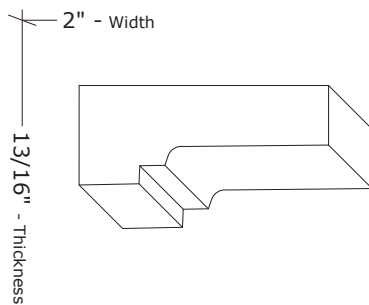
ASH-COR-7



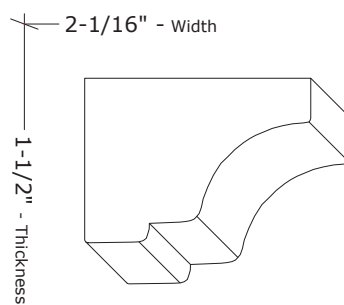
ASH-COR-6



ASH-COR-15



ASH-COR-30



*Profile Thicknesses, Heights and/or Widths may be modified.

Ashland Millwork
The finishing touch.™

2143 Ashland Avenue
Evanston, Illinois 60201
Tel: 1-847-869-8669 Fax: 1-847-869-8744
Email: sales@ashlandmillwork.com Web: www.ashlandmillwork.com

Job Name: _____
Architect/Builder: _____
Wood Species: _____ Qty: _____ LF.
Profile No.: _____

Sec. 8 - 2

Drawings are NOT actual size.
Scaled drawings to size are available upon request.

Sec. 8

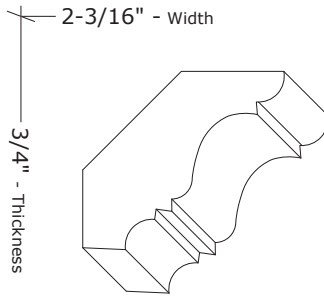
Profiles at a glance in order by Width.

Profile No.	Th (Width)	x	W	Page
COR-22	1" □ □	x □	1-3/8" □	1
COR-24	1-1/8" □	x □	1-3/8" □	1
COR-8	13/16" □	x □	1-1/2" □	1
COR-12	7/8" □ □	x □	1-1/2" □	1
COR-13	1-1/8" □	x □	1-1/2" □	1
COR-18	1-1/4" □	x □	1-1/2" □	1
COR-11	1-1/16" □	x □	1-9/16" □	1
COR-20	1-3/8" □	x □	1-5/8" □	1
COR-25	1-1/16" □	x □	1-3/4" □	2
COR-29	1-1/16" □ □	x □	1-3/4" □	2
COR-27	15/16" □	x □	1-13/16" □	2
COR-21	5/8" □ □	x □	1-7/8" □	2
COR-7	7/8" □ □	x □	1-7/8" □	2
COR-6	5/8" □	x □	2" □	2
COR-15	13/16" □	x □	2" □	2
COR-30	1-1/2" □	x □	2-1/16" □	2
COR-23	3/4" □ □	x □	2-3/16" □	3
COR-26	1-1/2" □	x □	2-1/4" □	3
COR-3	3/4" □ □	x □	2-1/4" □	3
COR-10	1-1/8" □	x □	2-1/4" □	3
COR-17	1-1/2" □	x □	2-1/4" □	3
COR-4	3/4" □	x □	2-5/16" □	3
COR-16	1" □	x □	2-3/8" □	3
COR-14	7/8" □	x □	2-1/2" □	3
COR-19	1-3/4" □	x □	2-1/2" □	4
COR-5	3/4" □ □	x □	2-9/16" □	4
COR-2	3/4" □ □	x □	2-5/8" □	4
COR-1	7/8" □	x □	2-5/8" □	4
COR-9	2-3/8" □	x □	2-7/8" □	4

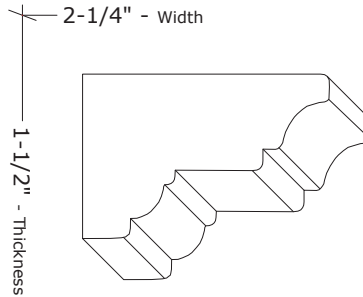
Request your own custom profile.

Call today!
1-847-869-8669

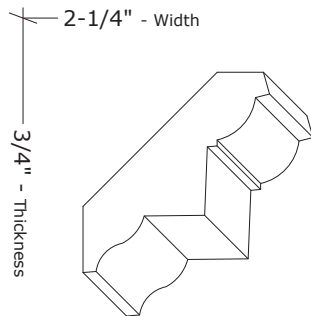
ASH-COR-23



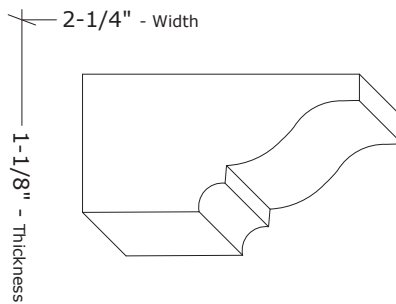
ASH-COR-26



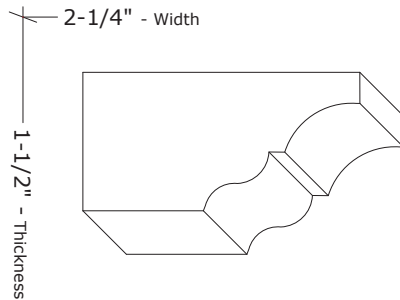
ASH-COR-3



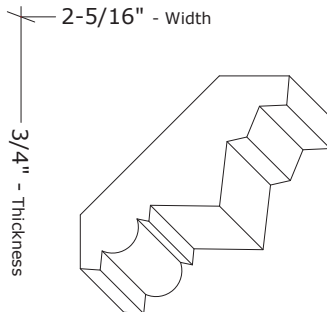
ASH-COR-10



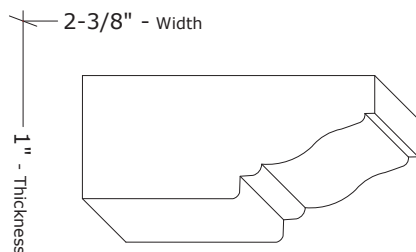
ASH-COR-17



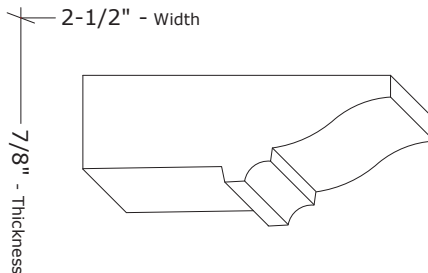
ASH-COR-4



ASH-COR-16



ASH-COR-14



*Profile Thicknesses, Heights and/or Widths may be modified.

Ashland Millwork
The finishing touch.™

2143 Ashland Avenue
Evanston, Illinois 60201
Tel: 1-847-869-8669 Fax: 1-847-869-8744
Email: sales@ashlandmillwork.com Web: www.ashlandmillwork.com

Job Name: _____
Architect/Builder: _____
Wood Species: _____ Qty: _____ LF.
Profile No.: _____

Drawings are NOT actual size.
Scaled drawings to size are available upon request.

Sec. 8

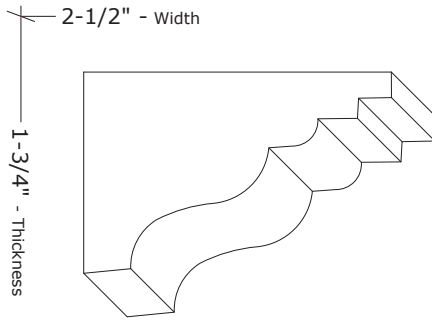
Profiles at a glance in order by Width.

Profile No.	Th (Width)	x	W	Page
COR-22	1"	x	1-3/8"	1
COR-24	1-1/8"	x	1-3/8"	1
COR-8	13/16"	x	1-1/2"	1
COR-12	7/8"	x	1-1/2"	1
COR-13	1-1/8"	x	1-1/2"	1
COR-18	1-1/4"	x	1-1/2"	1
COR-11	1-1/16"	x	1-9/16"	1
COR-20	1-3/8"	x	1-5/8"	1
COR-25	1-1/16"	x	1-3/4"	2
COR-29	1-11/16"	x	1-3/4"	2
COR-27	15/16"	x	1-13/16"	2
COR-21	5/8"	x	1-7/8"	2
COR-7	7/8"	x	1-7/8"	2
COR-6	5/8"	x	2"	2
COR-15	13/16"	x	2"	2
COR-30	1-1/2"	x	2-1/16"	2
COR-23	3/4"	x	2-3/16"	3
COR-26	1-1/2"	x	2-1/4"	3
COR-3	3/4"	x	2-1/4"	3
COR-10	1-1/8"	x	2-1/4"	3
COR-17	1-1/2"	x	2-1/4"	3
COR-4	3/4"	x	2-5/16"	3
COR-16	1"	x	2-3/8"	3
COR-14	7/8"	x	2-1/2"	3
COR-19	1-3/4"	x	2-1/2"	4
COR-5	3/4"	x	2-9/16"	4
COR-2	3/4"	x	2-5/8"	4
COR-1	7/8"	x	2-5/8"	4
COR-9	2-3/8"	x	2-7/8"	4

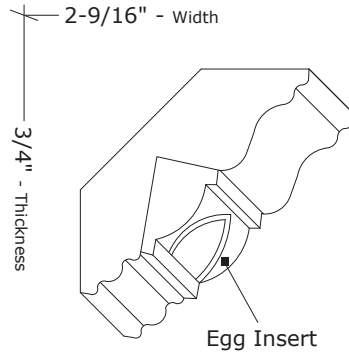
Request your own custom profile.

Call today!
1-847-869-8669

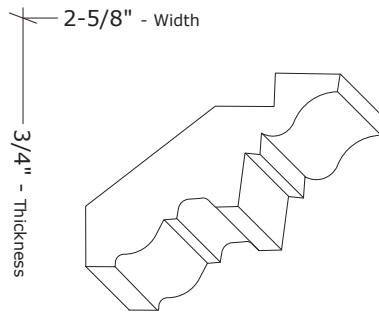
ASH-COR-19



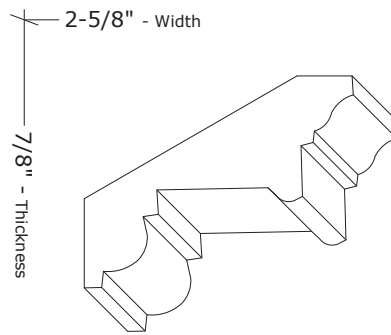
ASH-COR-5



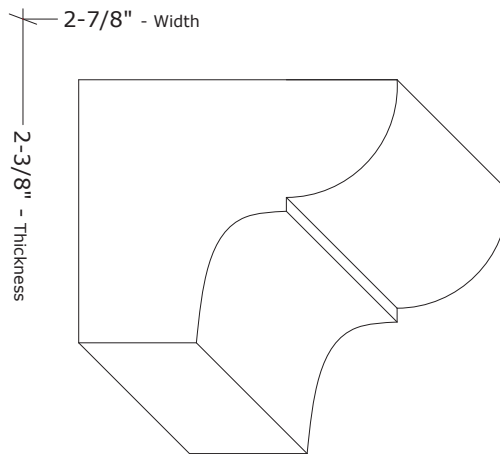
ASH-COR-2



ASH-COR-1



ASH-COR-9



Drawings are NOT actual size.
Scaled drawings to size are available upon request.

Ashland Millwork
The finishing touch.™

2143 Ashland Avenue
Evanston, Illinois 60201
Tel: 1-847-869-8669 Fax: 1-847-869-8744
Email: sales@ashlandmillwork.com Web: www.ashlandmillwork.com

*Profile Thicknesses, Heights and/or Widths may be modified.

Job Name: _____
Architect/Builder: _____
Wood Species: _____ Qty: _____ LF.
Profile No.: _____

Sec. 8 - 4