

# CORNICE Profiles

Builders Guide to Custom Moulding & Millwork 1.2

## Sec. 8

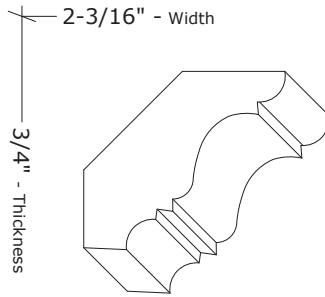
Profiles at a glance in order by Width.

Profile No.	Th (Width)	x	W	Page
COR-22	1" □ □	x □	1-3/8" □	1
COR-24	1-1/8" □	x □	1-3/8" □	1
COR-8	13/16" □	x □	1-1/2" □	1
COR-12	7/8" □ □	x □	1-1/2" □	1
COR-13	1-1/8" □	x □	1-1/2" □	1
COR-18	1-1/4" □	x □	1-1/2" □	1
COR-11	1-1/16" □	x □	1-9/16" □	1
COR-20	1-3/8" □	x □	1-5/8" □	1
COR-25	1-1/16" □	x □	1-3/4" □	2
COR-29	1-11/16" □	□	1-3/4" □	2
COR-27	15/16" □	x □	1-13/16" □	2
COR-21	5/8" □ □	x □	1-7/8" □	2
COR-7	7/8" □ □	x □	1-7/8" □	2
COR-6	5/8" □	x □	2" □	2
COR-15	13/16" □	x □	2" □	2
COR-30	1-1/2" □	x □	2-1/16" □	2
COR-23	3/4" □ □	x □	2-3/16" □	3
COR-26	1-1/2" □	x □	2-1/4" □	3
COR-3	3/4" □ □	x □	2-1/4" □	3
COR-10	1-1/8" □	x □	2-1/4" □	3
COR-17	1-1/2" □	x □	2-1/4" □	3
COR-4	3/4" □	x □	2-5/16" □	3
COR-16	1" □	x □	2-3/8" □	3
COR-14	7/8" □	x □	2-1/2" □	3
COR-19	1-3/4" □	x □	2-1/2" □	4
COR-5	3/4" □ □	x □	2-9/16" □	4
COR-2	3/4" □ □	x □	2-5/8" □	4
COR-1	7/8" □	x □	2-5/8" □	4
COR-9	2-3/8" □	x □	2-7/8" □	4

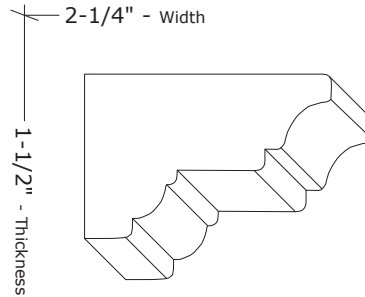
Request your own custom profile.

**Call today!**  
1-847-465-8101

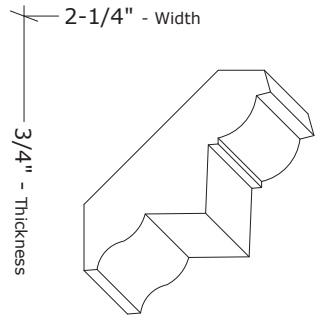
### ASH-COR-23



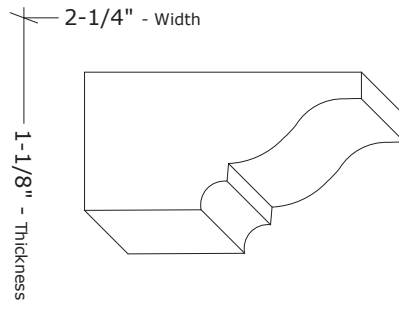
### ASH-COR-26



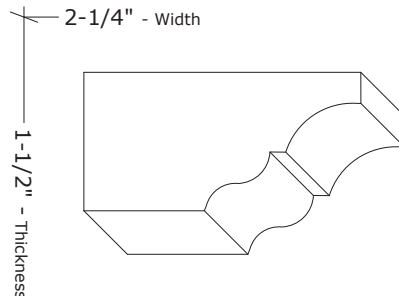
### ASH-COR-3



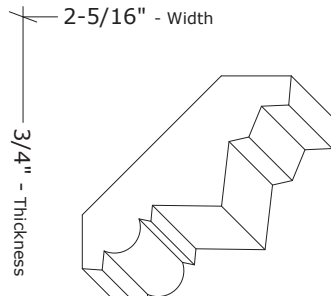
### ASH-COR-10



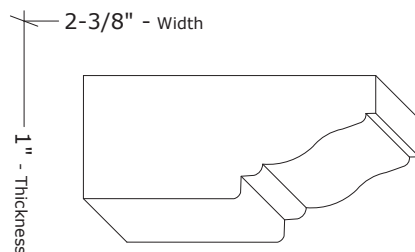
### ASH-COR-17



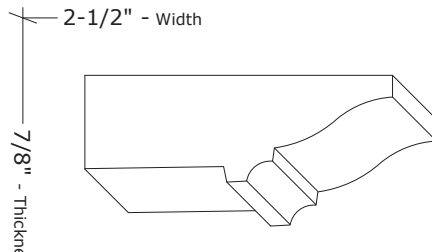
### ASH-COR-4



### ASH-COR-16



### ASH-COR-14



\*Profile Thicknesses, Heights and/or Widths may be modified.

**Ashland Millwork**  
The finishing touch.™

5 Messner Drive  
Wheeling, IL 60090  
Tel: 1-847-465-8101 Fax: 1-847-465-8102  
Email: sales@ashlandmillwork.com Web: www.ashlandmillwork.com

Job Name: \_\_\_\_\_  
Architect/Builder: \_\_\_\_\_  
Wood Species: \_\_\_\_\_ Qty: \_\_\_\_\_ LF.  
Profile No.: \_\_\_\_\_

**Sec. 8 - 3**

Drawings are NOT actual size.  
Scaled drawings to size are available upon request.